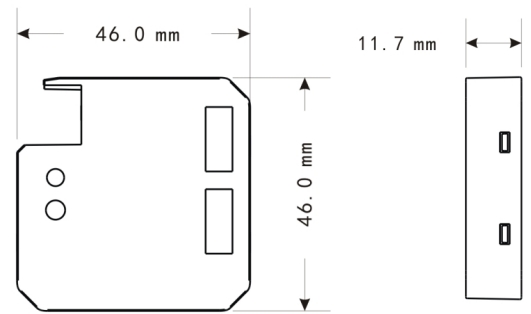


Technical Sheet
KNX Universal Interfaces, 4-fold

UP05101



The worldwide STANDARD for home and building control



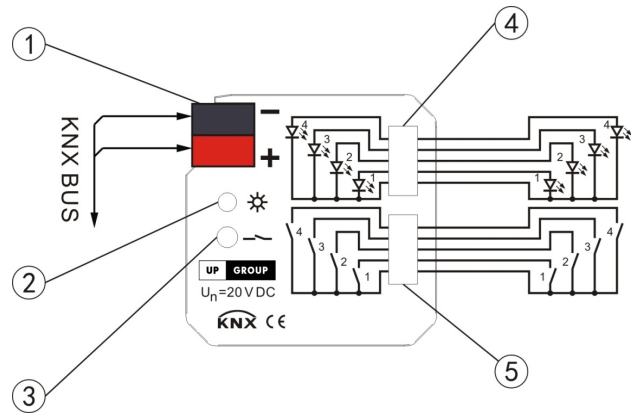
DIMENSIONS

| Model | Dimension | Weight |
|---------|--------------|--------|
| UP05101 | 46x46x11.7mm | 0.05kg |

CHARACTERISTICS

- Switch function
- Switch and dimming of the lighting (also 1 button operation)
- Send of value and forced output
- Scene control
- Switching sequence
- Counter
- Multiple operation
- Shutter control (also 1 button operation)
- LED function

DESCRIPTIONS



PARAMETERS

| | | |
|-----------------------|----------------------|--|
| Power supply | Bus voltage | 21-30V DC, via the EIB |
| Inputs/outputs | 4-fold key scan | Can be individually configured function of channel |
| | 4-fold LED scan | Can be individually configured function of LED |
| | Key scanning voltage | 20V DC |
| | Key input current | 0.5mA |
| | LED output voltage | 5V DC |
| | LED output current | Max. 2.5mA, limited via series resistor of 2KΩ |
| | Safety | Short-circuit-proof, overload protection, reverse voltage protection |
| Connections | EIB / KNX | Via bus connecting terminal (Diameter 0.8mm) |

- ① EIB / KNX bus connection terminal
- ② Red LED for entering the physical address, green LED for application process normally running
- ③ Programming button
- ④ LED terminal
- ⑤ KEY terminal

INSTALLATION FIGURE

The extremely compact design enables the device to be inserted in a conventional 60 mm wiring box. Must ensure that the device operation, testing, detecting, maintenance correctly.

| | | |
|---------------------------------------|-------------------------|---|
| Operation and display elements | Connection for key | ≤10M |
| | Red LED and push button | For assigning the physical address |
| | Green LED flashing | For displaying application layer running normally |
| Temperature | Operation | -5 °C ... + 45 °C |
| | Storage | -25 °C ... + 55 °C |
| | Transport | -25 °C ... + 70 °C |

IMPORTANT INFORMATION

Installation and commissioning of the device may only be carried out by trained electricians. The relevant standards, directives, regulations and instructions must be observed when planning and implementing the electrical installation.

● Protect the device against moisture, dirt and damage during transport, storage and operation!

● Do not operate the device outside the specified technical data (e.g. temperature range)!

Should the device become soiled, it may be cleaned with a dry cloth. If this does not suffice, a cloth lightly moistened with soap solution may be used. On no account should caustic agents or solvents be used.